

# EASY COMP

COMPRESSOR



## Power and Flow when you need it!

### ***It's Powerful...***

The powerful 1/5 horsepower high performance compressor delivers a minimum of 15 lpm at 50 psi.

### ***It's Versatile...***

The Easy/Comp can be used anywhere effective and convenient aerosol treatments are needed.

### ***It's Easy to Use ...***

The pressure gauge is slanted making it easier to read. It comes with a Velcro™ strap for easy cord wrapping. It also comes with non-marring suction feet to attach the unit securely to most surfaces without damaging or marking the surface.

### ***It's Lightweight...***

The Easy/Comp weighs only 10.8 lbs., making it easy to carry by any caregiver.

### ***It's Safe ...***

Safety is assured with the automatic resetting thermal limit switch which prevents the unit from overheating.





## SPECIFICATIONS

### Dimensions:

Length 10 1/4" (26.04 cm), Width 5 1/4" (13.34 cm),  
Height 9 1/2" (24.13 cm)

### Weight:

10.8 lbs. (4.9 kg)

### Shipping Weight:

12.5 lbs. (5.7 kg)

### Motor:

120 VAC, 60Hz, 5 Amps

### Output:

Minimum of 15 lpm @ 50 psi

### Operating Temperature Range:

50°F to 104°F (10°C to 40°C)

### Storage Conditions:

Temperature: -4°F to 120°F (-20°C to 49°C);  
Humidity: Max 95% non-condensing

## ORDERING INFORMATION

Part#	Description
PM50	AC unit with Hospital Grade Power Cord



ISO 9001  
Certified

Precision Medical, Inc.  
300 Held Drive • Northampton, PA 18067  
Phone: 610-262-6090 Toll-Free Phone: 1-800-272-7285  
Fax: 610-262-6080 Toll-Free Fax: 1-800-352-1240  
Visit us on the Web: [www.precisionmedical.com](http://www.precisionmedical.com)

# EASY AIR 15



The EasyAir 15 proves that bigger isn't always better.

### ***It's Just as Powerful ...***

No sacrificing power with the Easy/Air. We've put the same power & flow you're used to, a minimum of 15 lpm at 50 psi, in a much smaller package.

### ***It's Lightweight ...***

The Easy/Air weighs only 20.4 lbs. making it much easier to carry. It is an average of 22% lighter than comparable compressors.

### ***It's Compact...***

An average of 37% smaller than other units, it fits into areas where space is at a minimum.

### ***It's Easy to Use ...***

The PM15F eliminates the need for pressure/flow calculations with a built-in flow gauge. This unique feature allows the caregiver to set the air flow in lpm by simply dialing in the desired flow. The PM15P is also available with a standard pressure gauge.

### ***It Aids Compliance ...***

The unique built-in hour meter aids in determining when preventative maintenance is due. This money saving feature helps compliance with JCAHO maintenance record keeping.

### ***It's Easy to Maintain ...***

Both compressor filters are on the outside of the cabinet, making filter cleaning easier and more accessible for patients and caregivers.

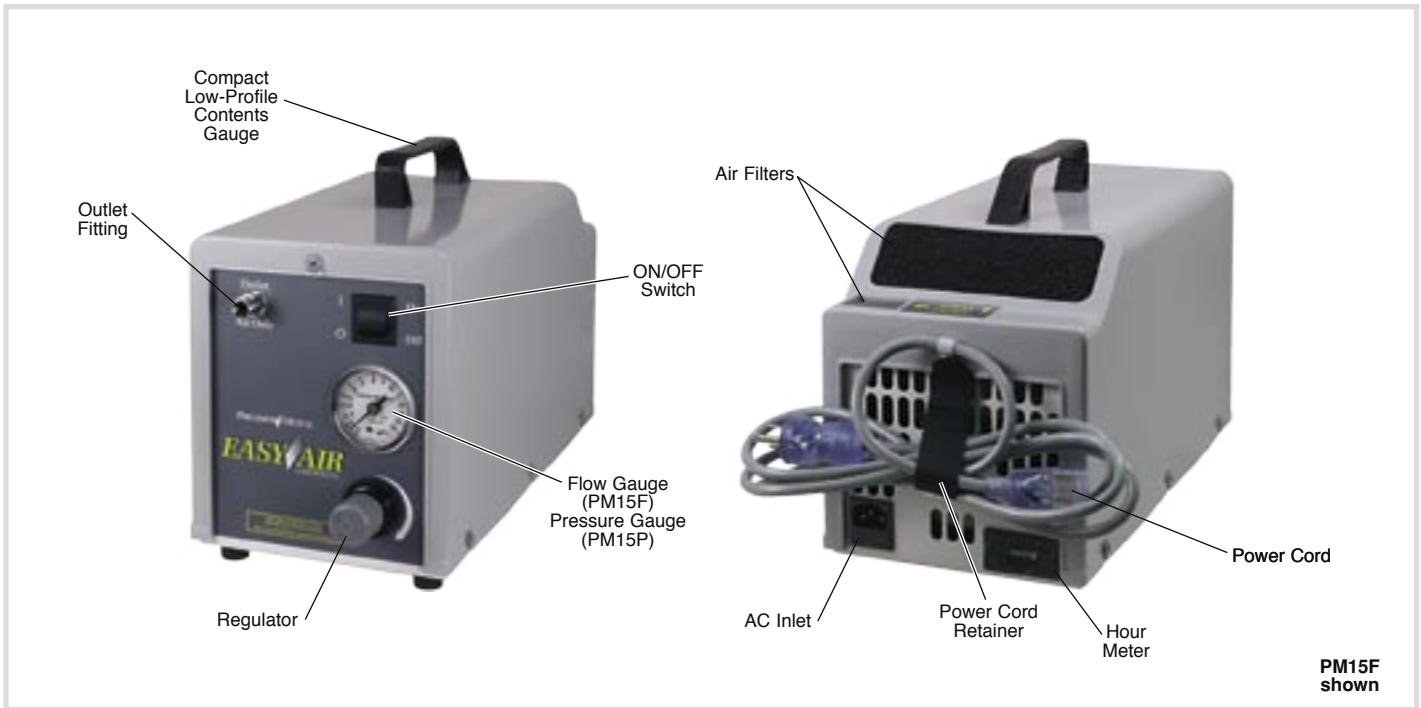
### ***It's Durable ...***

The ABS plastic cabinet is durable, attractive, easy-to-clean and infection control friendly.

### ***It's Safe ...***

Safety is assured with the automatic resetting thermal limit switch which protects the unit from overheating.





# SPECIFICATIONS

<b>Dimensions:</b>	Length 16" (40.6 cm), Width 7.25" (18.4 cm), Height 10.25" (26.1 cm)
<b>Weight:</b>	20.4 lbs (9.3 kg)
<b>Shipping Weight:</b>	24 lbs. (10.9 kg)
<b>Motor:</b>	120 VAC, 60Hz, 5 Amps

<b>Output:</b>	<b>PM15F</b> lpm...as set and read on the gauge <b>PM15P</b> minimum of 15 lpm @ 50 psi
<b>Operating Temperature Range:</b>	50°F to 104°F (10°C to 40°C)
<b>Storage Conditions:</b>	Temperature: -4°F to 104°F (-20°C to 40°C); Humidity: Max 95% non-condensing

# ORDERING INFORMATION

Part#	Description
PM15F	AC unit with flow gauge, J Bracket & Hospital Grade Power Cord
PM15P	AC unit with pressure gauge, J Bracket & Hospital Grade Power Cord
PM15-1	J Bracket
PM15-3	Cooling Coil & Condensation Trap

Part#	Description
PM15-4	Condensation Trap
PM15-5	Flow Gauge (1" stem)
PM15-6	Flow Gauge (1 1/2" stem)
PM15-7	Flow Gauge Bracket
PM15-8	Extended J Bracket
PM60-1	Roll Stand



ISO 9001  
Certified

Precision Medical, Inc.  
300 Held Drive • Northampton, PA 18067  
Phone: 610-262-6090 Toll-Free Phone: 1-800-272-7285  
Fax: 610-262-6080 Toll-Free Fax: 1-800-352-1240  
Visit us on the Web: [www.precisionmedical.com](http://www.precisionmedical.com)

# COMPRESSOR ACCESSORIES



**The Roll Stand and other accessories make life easier using our compressors.**

***It's Convenient ...***

The Precision Medical Roll Stand allows you to easily move a compressor or suction unit from room to room allowing easy placement anywhere.

***It's Easy to Use ...***

Simply place the compressor or suction unit on the stand, and attach with the convenient strap.

***It's Versatile ...***

The stand shelf is large enough to accommodate any of Precision's Air Compressors, Aspirators or Nebulizer Compressors.

***It's Easy to Maintain ...***

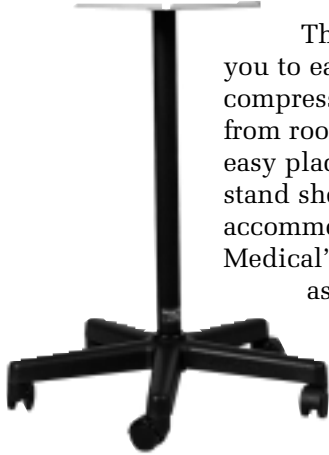
Powder coated compressor shelf, pole stand, base feet and casters are smooth, easy to clean and infection control friendly.

***It's Sturdy ...***

The five (5) arm base with its non-marring casters provides a sturdy base that is virtually impossible to tip over under normal usage.

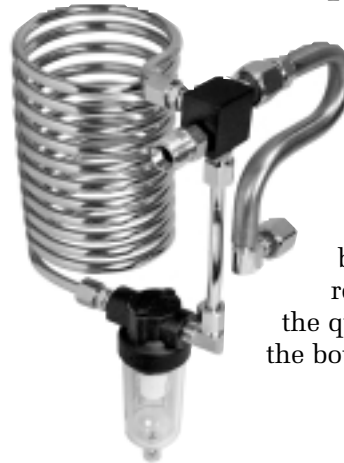


## PM60-1 Roll stand



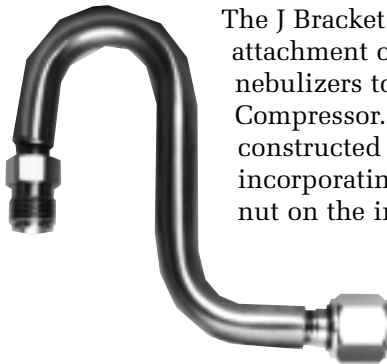
The Roll Stand allows you to easily move a compressor or suction unit from room to room allowing easy placement anywhere. The stand shelf is large enough to accommodate any of Precision Medical's air compressors, aspirators or nebulizer compressors.

## PM15-3 Cooling Coil with Condensation Trap



The unit easily attaches to the outlet fitting of the PM15 Compressor with a hex nut & nipple. Condensation is collected in a visible bowl and can be removed by activating the quick release check on the bottom of the unit.

## PM15-1 J Bracket



The J Bracket allows for attachment of wall mounted nebulizers to the PM15 Compressor. The bracket is constructed of stainless steel incorporating a female hex nut on the inlet and a male on the outlet.

## PM15-5 and PM15-6 Flow Gauges



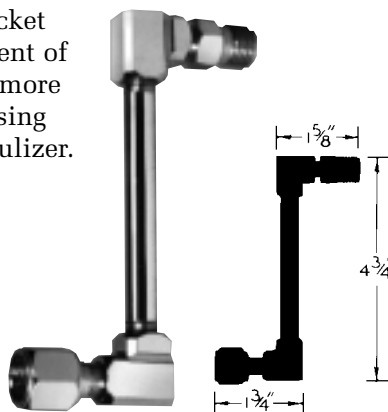
The Flow Gauge allows the user to set a flow rate in lpm when attached to compressor outlet fitting. It can be used with any 50 psi compressor.

### Flow Gauge Ordering Information:

- PM15-5 Flow Gauge with Female Hex Nut 1" Stem
- PM15-6 Flow Gauge with Female Hex Nut 1-1/2" Stem

## PM15-7 Flow Gauge Extension Bracket

The Extension Bracket allows for attachment of Flow Gauge when more height is needed using an all purpose nebulizer.



## PM15-8 Extension J Bracket

The Extension J Bracket allows for attachment of 1000cc Humidifier Bottle.

